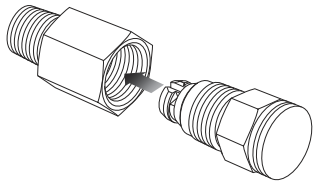
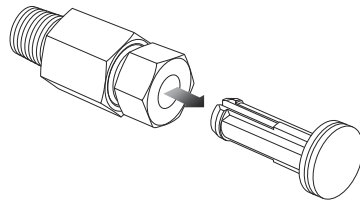


Swagelok® Medium-Pressure Gaugeable Tube Fittings and Adapter Fittings

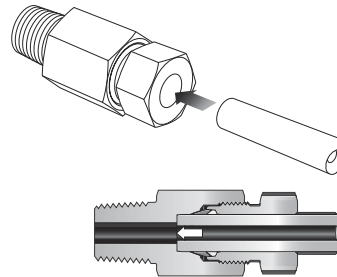
For Pressures up to 15 000 psig (1034 bar)



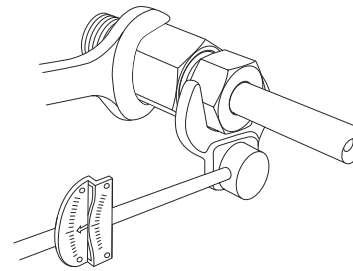
1
Simple two-piece construction, color-coded ferrules



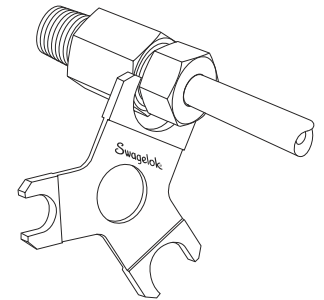
2
Arbor is removeable once nut is finger-tight



3
No special tube preparation—annealed or cold-drawn 1/8-hard tubing



4
No special tools—tighten nut one full turn or by torque, remakeable



5
Gaugeable upon initial installation

Swagelok® Medium-Pressure Gaugeable Tube Fittings and Adapter Fittings

For Pressures up to 15 000 psig (1034 bar)

